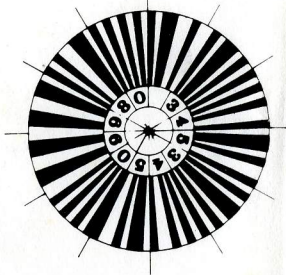


SUPERMARKET INDUSTRY

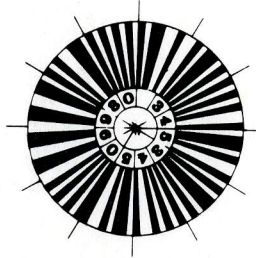
PROPOSED UNIVERSAL PRODUCT 10 DIGIT BINARY SYMBOL *

By

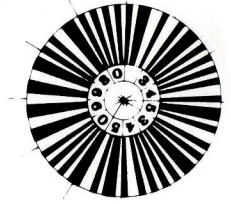
CHARECOGN SYSTEMS, INC.



3453450998



3453450998



3453450998

Outer Diameter	1.250 in.	1.125 in.	1.00 in.
Inner Diameter	.468 in.	.407 in.	.375
Total Area	1.22 sq. in.	.992 sq. in.	.785 sq. in.
Inner Area	.172 sq. in.	.144 sq. in.	.101 sq. in.
Individual Segment (Nominal)			
a. outer width	.041 in.	.037 in.	.033 in.
b. median width	.028 in.	.025 in.	.022 in.
c. inner width	.015 in.	.013 in.	.011 in.
Stroke Length	.391 in.	.359 in.	.313 in.
Max. Skew	\pm .196 in.	\pm .179 in.	\pm .156 in.
Maximum Tolerance from Nominal	.041 \pm .008	.037 \pm .007	.033 \pm .006
	.028 \pm .005	.025 \pm .005	.022 \pm .004
	.015 \pm .003	.013 \pm .002	.011 \pm .002

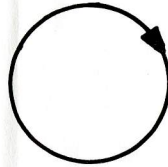
Note: Above actual size.

* U. S. Pat. No. 3,636,317

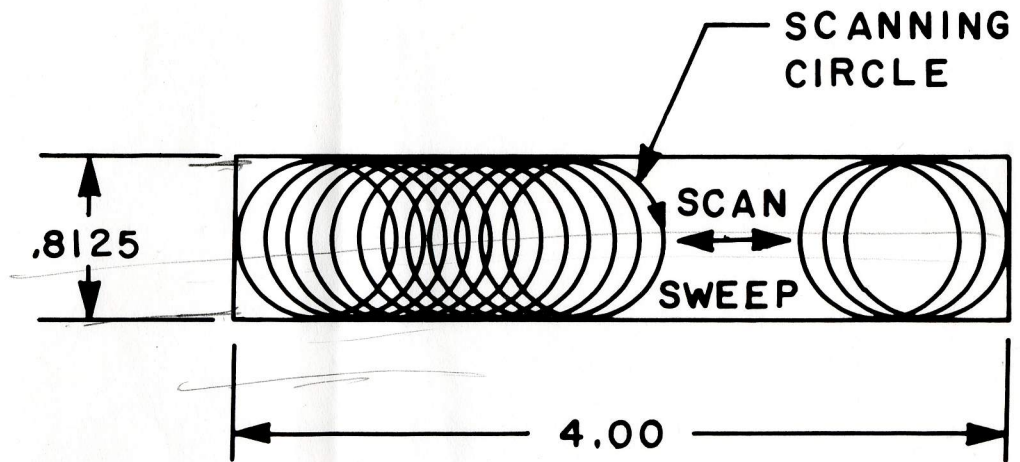
CHARECOGN SYSTEMS, INC.

SCANNER CIRCULAR MOTION

HAND
SCANNER



SLOT
SCANNER



Hold or slide your Charecogn UPC negative over any single scanning circle. Scanner/system "Reads" over entire UPC area as long as scanning circle sweeps over all bars.